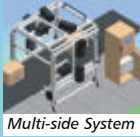


## Vision Systems



Unattended Scanning Systems

## General Description

The DV9500 Camera system represents Datalogic's solution for high performance linear and 2D code omni-directional reading through Vision Technology.

**Advanced technology:** the DV9500 Camera system is available in 5 models, all equipped with the fastest 6K pixel CCD sensors. A very quick and reliable autofocus system provides the best performance in the market in terms of accuracy and repeatability, and its fast reaction speed permits reading with a minimum gap between parcels. High quality optics and advanced electronics allow Datalogic's DV9500 camera to capture high quality gray scale images of parcels transported on fast conveyors.

**Excellent decoding performance:** the high quality images are processed by the powerful DD9500 Decoding system. The DD9500 can read 1D and 2D bar codes omni-directionally in a very short time. It provides very high performance when decoding low aspect ratio codes (with very low height), labels under plastic film, damaged labels and degraded symbol images even on cluttered backgrounds.

**Smart image management:** the high quality images acquired by DV9500 perfectly suit the most advanced OCR processor and Video-coding systems. The DD9500 can also save the acquired images and make them available for offline quality analysis and track and trace confirmation.

**Flexibility and modularity concept:** the DV9500 camera can be installed in multi-side configurations with up to 6 sides (TOP, BOTTOM, SIDE) or integrated into laser systems to fulfill the most challenging applications with the best price/performance ratio. The LED illuminators, especially designed for High and Low DOF requirements, complete the system making it more flexible and versatile. The modularity of the system and smart Genius™ configuration software make installation flexible and replacement easier.

**The DV9500 vision system:** a state-of-the-art vision system for sorting applications in postal, logistic and distribution markets.

## Features

- > Outstanding decoding performance on very low quality labels under plastic film
- > High reading performance even on very fast conveyors
- > Multi-side modular solution
- > Linear CCD technology
- > Advanced patented autofocus system
- > Image saving capability
- > Easy replacement concept
- > Diagnostics and remote control
- > Integration with laser systems

## Applications

- > Postal and logistics applications
- > Distribution applications
- > Garment and Multimedia Sorting
- > Reverse Logistic Processes
- > Suitable for OCR and Video-coding

## Specifications

### CAMERA SYSTEM

POWER SUPPLY	24 VDC
POWER CONSUMPTION	30 W
IMAGE RESOLUTION	110 - 260 DPI (application dependant)
CONVEYOR COVERAGE	Up to 1000 mm (39 in.)
DEPTH OF FIELD	Up to 1000 mm (39 in)
CONVEYOR SPEED	Up to 3.0 m/s (depending on the application)
SUPPORTED LENSES	High quality commercial lenses (50 mm, 85 mm, 105 mm, 192 mm)
IMAGE STANDARD	8 bit gray level image
VIDEO INTERFACE	Camera Link (Parallel 16 bit LVDS bus, 32 bit LVDS available on request)
COMMUNICATION	COM1, COM2: RS232 up to 115.2 Kbit/s COM3: RS485 full duplex
DIGITAL INPUTS	2, optoisolated
DIMENSIONS	See drawings
WEIGHT (APPROX)	13 Kg (28.7 lb)
OPERATING TEMP.	0° to 40° C (32° to 104° F)
STORAGE TEMP.	-20 to 70° C (-4° to 158° F)
HUMIDITY	Up to 95% non condensing
PROTECTION CLASS	IP64 (optical section)

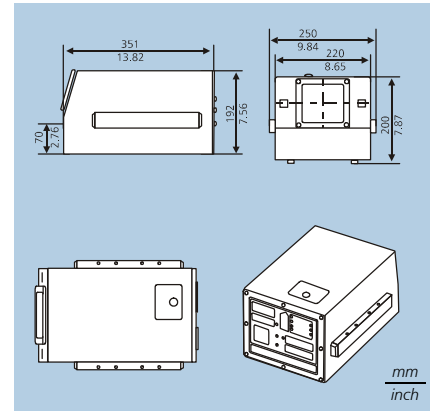
### DECODING SYSTEM

CPU	Pentium IV 2.8 GHz (or later) processor, 400 MHz FSB
RAM	512 Mbytes
LABEL ORIENTATION	Full omni-directional 360 degrees
READABLE BARCODES	Code 128, Code 39, Interleaved 2/5, EAN/UPC, postal codes and all popular bar codes
READABLE 2D CODES	PDF417, Datamatrix, Maxicode and all popular 2D codes
OUTPUT INFORMATION	Decoded label, saved images
COMMUNICATION	Serial RS232, Serial RS422/RS485, two 10/100 Mbps Ethernet
DIMENSIONS	Mini tower case or 2U height 19" Rack mounting chassis
OPTIONS	I/O board, RS422/485 board, RS232 board, Monitor, Keyboard, Mouse, 19" Rack Cabinet

### LIGHTING SYSTEM

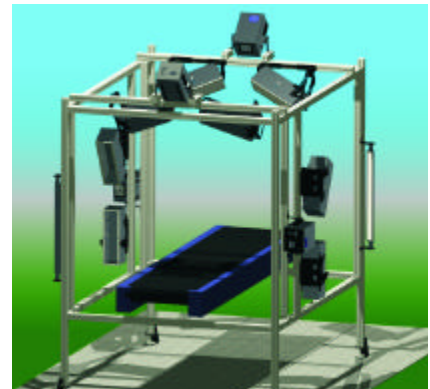
POWER VOLTAGE	24 Vdc ± 10%
POWER CONSUMPTION	45 W
STORAGE TEMPERATURE	-20° to 70°C / -4° to 158°F
OPERATING TEMPERATURE	0° to 45°C / 32° to 113°F
EMITTED WAVELENGTH	627 nm
DIMENSIONS	500 x 198 x 160 mm (19.68 x 7.79 x 6.29 in)
WEIGHT	7.1 Kg/ 15.6 lb

## Dimensions



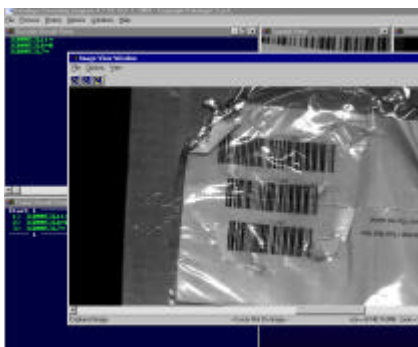
Standard Camera System

## Multi-side solution

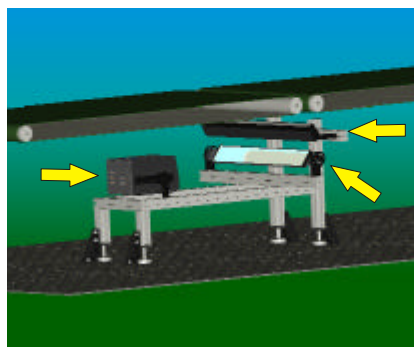


Multi-side solution

## Special Features



Damaged codes under plastic film



Modular approach for reduced spaces



Easy integration into existing laser systems